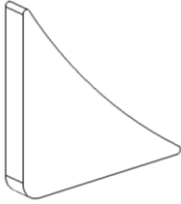
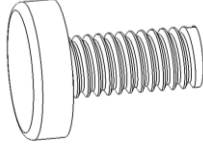
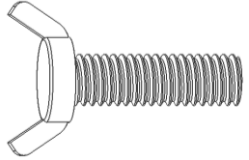


**5 PC EGG SEATING SET | model: OP-PEEC**

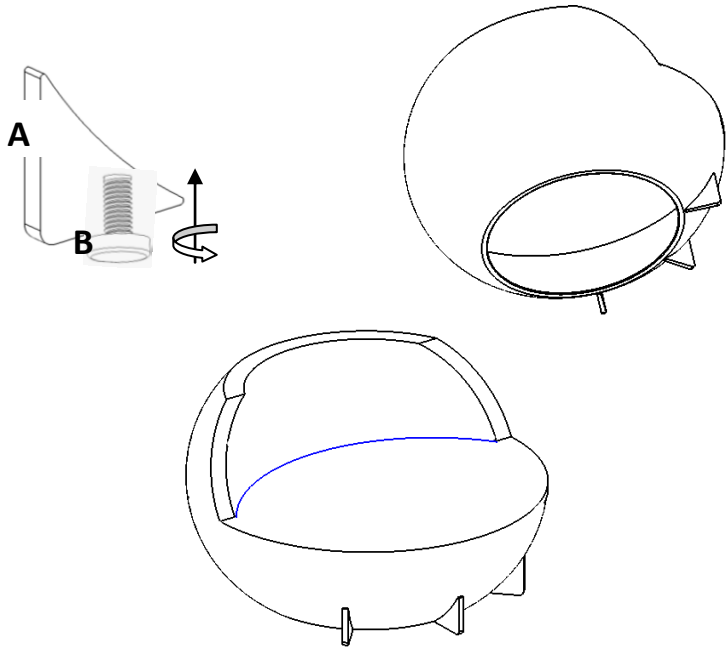
**Optional Stability Feet Installation / Removal Instructions**

The optional feet add stability to your EGG Seating Set.

Please locate and identify these parts:

					
A	3PCS	B	3PCS	C	6PCS

**Assembly / Foot Removal**

	<p><b>Find the stability feet.</b> You will use 3 feet per chair. The holds are located on the bottom side of each chair. Thread the bolt (b) through the bottom of support foot (a) into chair base. Secure with thumb screw (c) from the inside. On larger chairs replace top section.</p> <p><b>Flip the chair over and you are ready to go!</b></p> <p><b>To remove the feet – reverse the steps.</b> Unscrew the thumb screw (c) from the bolt. Remove the feet and turn the chairs back over.</p>
--	---

Please read the instruction manual carefully.

For Customer Care, Product Information and Problem Resolution, or to order replacement parts, please contact CUSTOMER SERVICE

8a.m. to 5p.m. Mountain Standard Time:

[customerservice@redstartraders.com](mailto:customerservice@redstartraders.com)